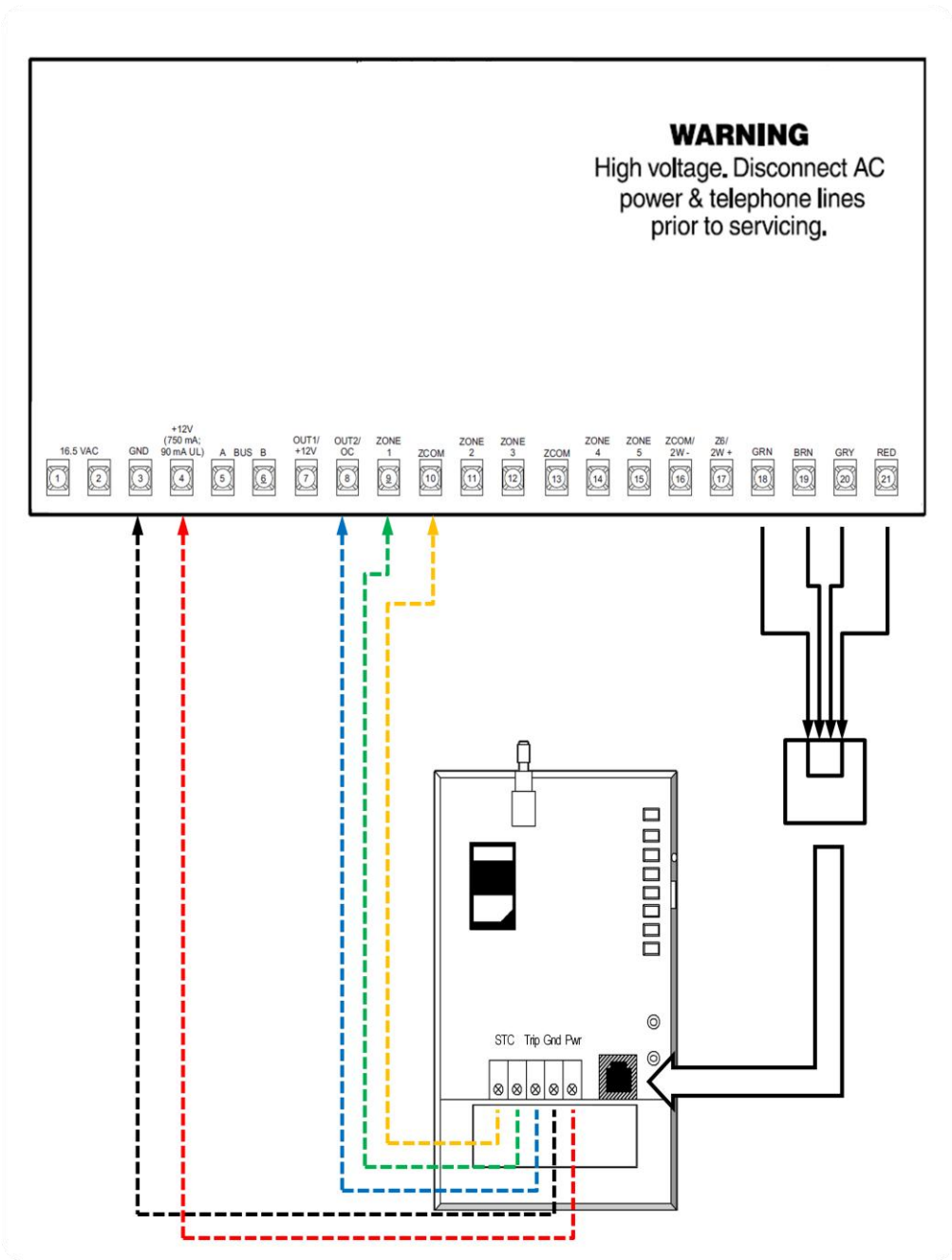


Telguard Interactive Installation: TG-1 Express with GE Concord Express

The following information is to serve as a guide for installations of TG-1Express devices enabled for Interactive Services with the GE Concord Express. The configuration shown in the diagram below is an example of how a proper installation could look. Although the zone could differ from the diagram without changing the outcome of the installation, the output to be used must be OUT2.

Installation Diagram



Programming Steps

After getting into configuration mode, check/do the following:

Program Keyswitch zone:

Keypad Display	Enter on Keypad	Comments
System Programming	0015	This enters the keyswitch programming area.
Keyswitch Sensor 1	X# ***	X is Zone Number 1-6, # to confirm, and *** to return to the System Programming prompt.
System Programming	070	Learn Sensors display.
Learn Sensors	#	Enters the sensors menu.
Sensor Group	28#	28 is Sensor Group, # to confirm.
Trip Sensor x		Navigate to Zone 1, Short Zone 1 wire to ZCOM wire. Wait for the panel to beep, press * until Learn Sensors prompt displays. NOTE: Be sure that the Telguard unit is not connected to the panel when doing this step.
Learn Sensors	A	Keep pressing "A" until edit sensor is displayed.
Edit Sensor	#	Set To View Sensor 1.
S1 P1 G28 NO HW	***	Zone 1 configurations as viewed on keypad. Return to System Programming.

Enable Open/Close Reports:

Keypad Display	Enter on Keypad	Comments
System Programming	0103	To display Open/Close RPTS.
Open/Close RPTS XX	2#	XX is current status, 2 is for ON, # to confirm.
Open/Close RPTS On	***	Return to System Programming.
System Programming	0113	To display Open/Close RPTS for CS phone 1.
Open/Close RPTS XX	2#	XX is current status, 2 is for On, # to confirm.
Open/Close RPTS ON	***	Return to System Programming.
System Programming	0510	Open RPTS
Opening Reports XXX	2 #	XXX is current status, 2 is for On, # to confirm.
Opening Reports ON	***	Return to System Programming.
System Programming	0511	Closing reports status
Closing Reports XXX		XXX is current status, 2 is for on, # to confirm.
Closing Reports ON	***	Return to System Programming.

Program Output:

Keypad Display	Enter on Keypad	Comments
System Programming	09110	To enter configuration option for Output 2.
Configuration XXXXX	00903#	XXXXX is the previous configuration; enter 009 for ARM stay and away event, 03 for sustained response, # to confirm.
Configuration 00903	****	Return to System Programming.

Set to Contact ID:

Keypad Display	Enter on Keypad	Comments
System Programming	0105	To display Reporting Format for CS phone #1.
Reporting Format XXX	2#	XXX is current reporting format, 2 is for CID, # to confirm.
Reporting Format CID	***	Return to System Programming.
System Programming	0115	To display Reporting Format for CS phone #2.
Reporting Format XXX	2#	XXX is current reporting format, 2 is for CID, # to confirm.
Reporting Format CID	***	Return to System Programming.
System Programming	A	Keep A pressed until Exit Programming displays.
Exit Programming	#	Press # to confirm and exit the programming menu.

Reference Note

For more detailed installation and programming instructions, refer to the Telguard Interactive Installation Guide (P/N 56043501).