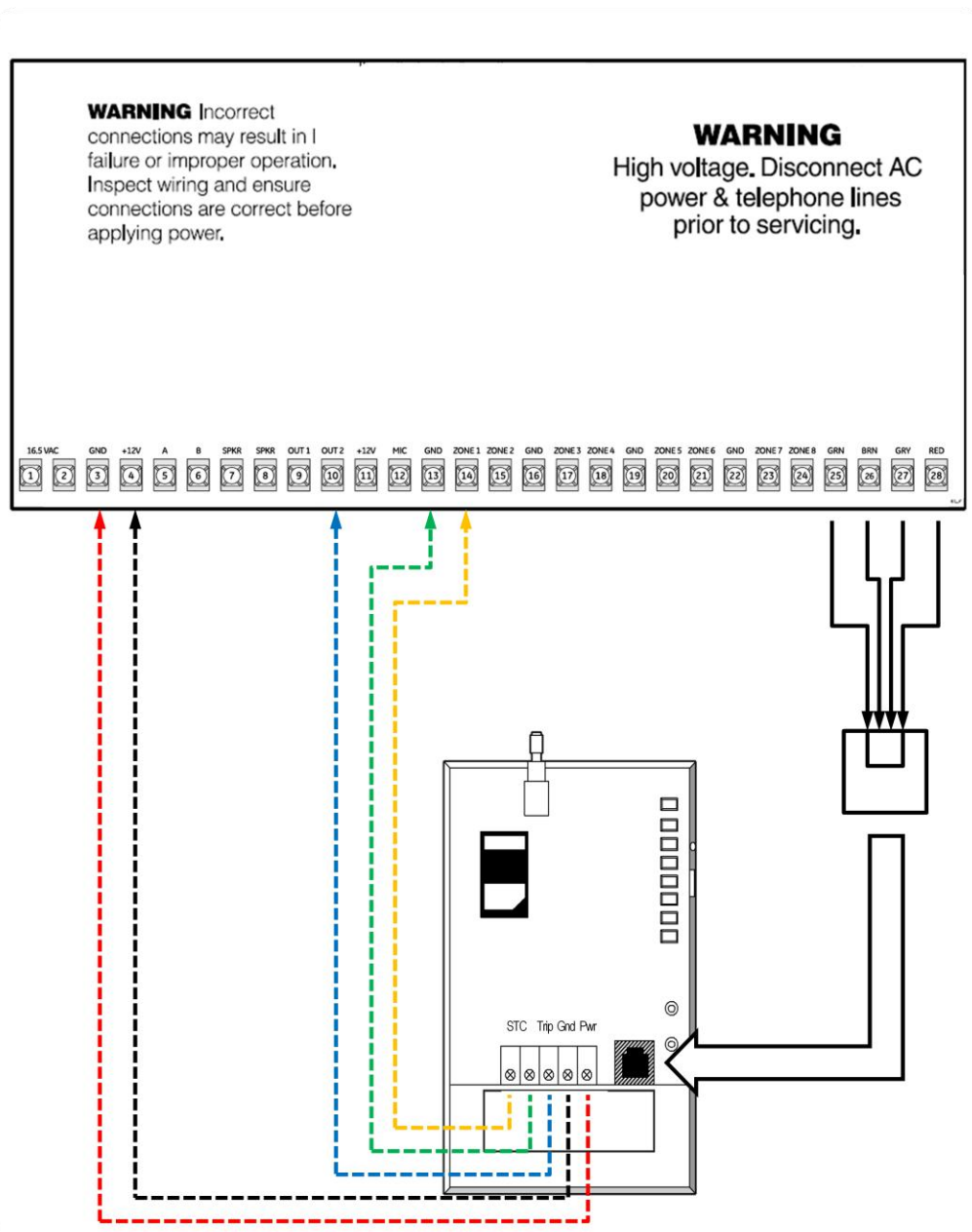


## Telguard Interactive Installation: TG-1 Express with GE Concord 4

The following information is to serve as a guide for installations of TG-1Express devices enabled for Interactive Services with the GE Concord 4. The configuration shown in the diagram below is an example of how a proper installation could look. Although the zone could differ from the diagram without changing the outcome of the installation, the output to be used must be OUT2.

### Installation Diagram



## Programming Steps

After getting into configuration mode, check/do the following:

### Program Keyswitch zone:

Keypad Display	Enter on Keypad	Comments
System Programming	0014	This enters the keyswitch sensor area.
Keyswitch Sensor X	X# , B	X =Zone Number 1-8, # to confirm, press B to get to keyswitch style.
Keyswitch style Transition	B * * *	Press B until Displays TRANSITION. Then press * a few times to get back to System Programming.
System Programming	080	Enters the Learn Sensors menu.
Learn Sensors	#	# opens this menu.
Sensor PTN 1	#	This is the partition area, with 1 as default. Do not change if 1, press # to confirm.
Sensor Group 0	28 #	Change sensor group to 28, # to confirm.
Trip Sensor X	*	Navigate to chosen zone X (1-8), Short Zone X wire to GND wire. Wait for the panel to beep, press * until Learn Sensors prompt displays.
Learn Sensors	A	To get to edit sensor area.
Edit Sensors	#	View sensor 1.
S1 P1 G28 NO HW Key	***	Get back to System Programming.

### Set to Contact ID:

Keypad Display	Enter on Keypad	Comments
System Programming	01006	To display Reporting Format.
Reporting Format "TYPE"	2, # ***	"TYPE" is the current programmed types. 2 is for CID, # to confirm, hit *** to get to System Programming.

### Enable Open/Close Reports:

Keypad Display	Enter on Keypad	Comments
System Programming	01004	To display Open/Close RPTS.
Open/Close RPTS XX	2#	XX IS CURRENT STATUS. 2 is for ON, # to confirm.
Open/Close RPTS ON	***	Return to System Programming.
System Programming	06100	This displays opening reports status.
Opening Reports XX	2 #	XX is the current status, 2 is for ON, # to confirm.
Opening Reports ON	***	Return to System Programming.
System Programming	06101	This displays closing report status.
Closing Reports XX	2 #	XX is current status 2 is for ON.
Closing Reports ON	***	Return to System Programming.

**Program Output:**

<b>Keypad Display</b>	<b>Enter on Keypad</b>	<b>Comments</b>
System Programming	1121 #	Displays output 2 status.
OUTPUT 2 ITEM 0 "STATUS"(ex 11 - ARMED)	11 #	Output 2 will be Armed, # to confirm.
OUTPUT 2 ITEM 1 11 - ARMED	****	Press * a few times to get back to system programming.
System Programming	1111	Displays configuration FOR OUTPUT 2.
Configuration XXXXX	00903 #	Enter 009=Arm Event, 03=Sustained Response. # to confirm.
Configuration 00903	****	Press * a few times until get back to System Programming.

**Reference Note**

---

For more detailed installation and programming instructions, refer to the Telguard Interactive Installation Guide (P/N 56043501).