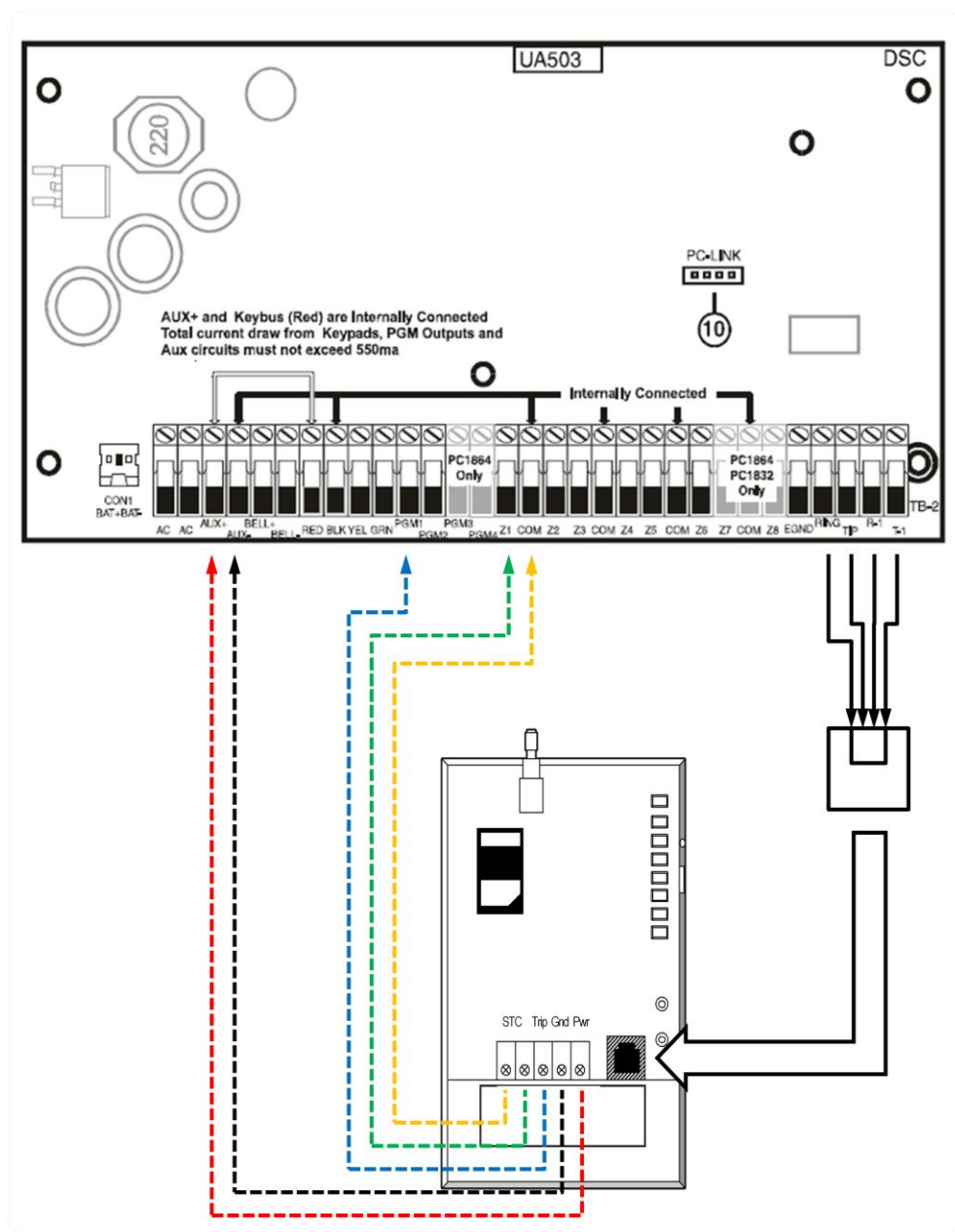


Telguard Interactive Installation: TG-1 Express with DSC 1832

The following information is to serve as a guide for installations of TG-1Express devices enabled for Interactive Services with the DSC 1832. The configuration shown in the diagram below is an example of how a proper installation could look. The output and zone could differ from the diagram, without changing the outcome of the installation.

Installation Diagram



Programming Steps

After getting into configuration mode, check/do the following:

Program Keyswitch zone:

Keypad Display	Enter on Keypad	Comments
Enter Section _____	001	Zone 1 keyswitch.
Enter Data XX	22 #	22 is for Zone Type Keyswitch, XX is previous value # to go back to Enter Section.

Program Output:

Keypad Display	Enter on Keypad	Comments
Enter Section _____	009	To program Output 1.
Enter Data XX	05 #	05 is Armed status, XX is previous value, # to return to Enter Section.

Enable Open/Close Reports:

Keypad Display	Enter on Keypad	Comments
Enter Section _____	351	To program phone 1 call direction.
Toggle Option -----	1 #	1 for alarms.
Enter Section _____	367	Open/Close Communicator Call directions.
Toggle Option -----	1 #	Enable Open/Close Call directions for 1 st communicator, # to confirm.
Enter Section _____	380	Open/Close Reporting.
Toggle Option -----	1 #	Open/Close Reporting. Enabled.

Set to Contact ID:

Keypad Display	Enter on Keypad	Comments
Enter Section _____	350	Program Alarm Format.
Enter Data XX	03 #	03 is for CID format, XX is the previous programmed value, # to return to Enter Section.
Enter Section _____	#	To get back to main menu.

Reference Note

For more detailed installation and programming instructions, refer to the Telguard Interactive Installation Guide (P/N 56043501).