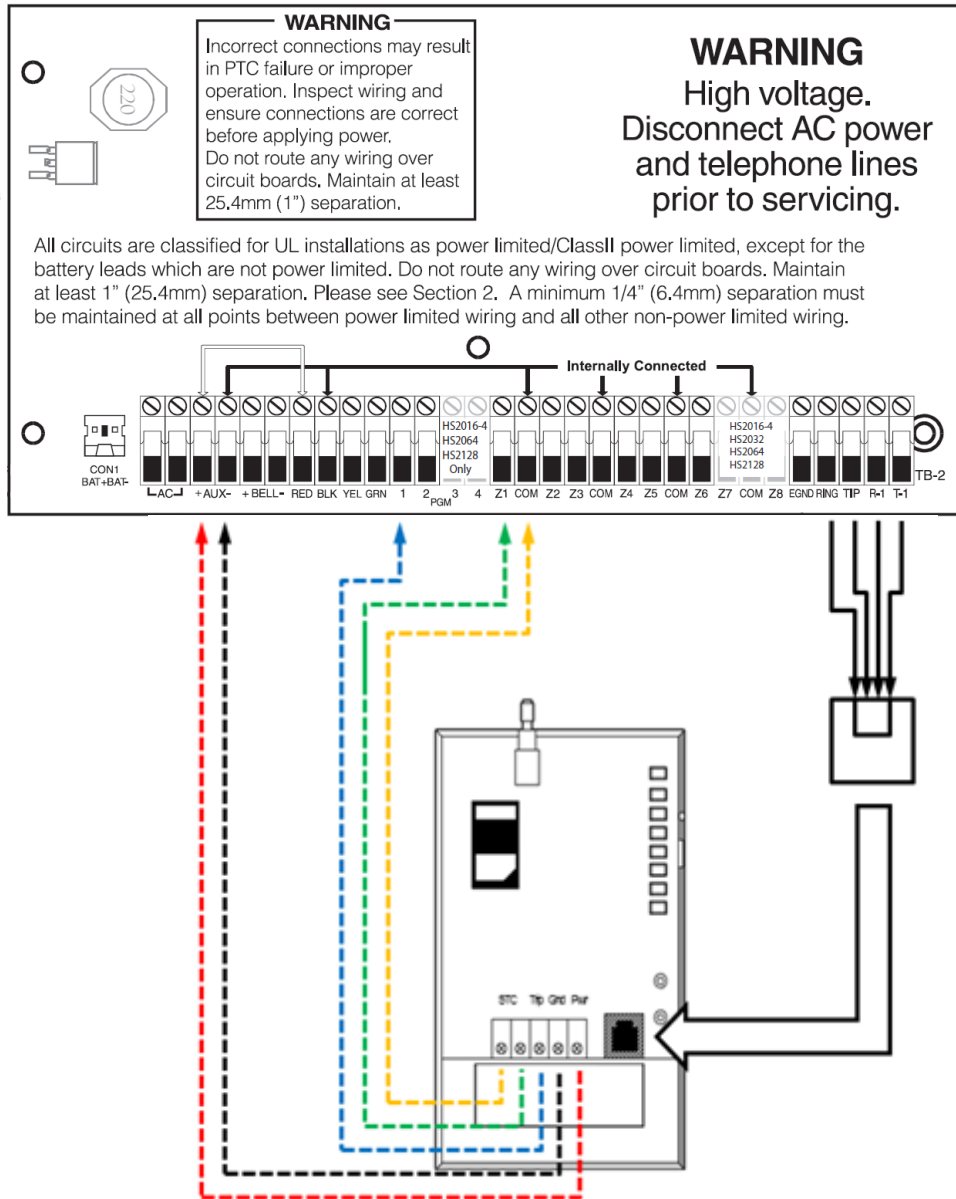


# Telguard Interactive Installation: TG-1 Express with DSC Power Series Neo

The following information is to serve as a guide for installations of TG-1Express devices enabled for Interactive Services with the DSC Power Series Neo. The configuration shown in the diagram below is an example of how a proper installation could look. The output and zone could differ from the diagram, without changing the outcome of the installation.

## Installation Diagram



## Programming Steps

After getting into configuration mode, check/do the following:

### Program Keyswitch zone:

Keypad Display	Enter on Keypad	Comments
Enter Section —	001 *	Zone 1. * moves into next section.
Enter Data	066 # #	066 is for Zone Type Momentary Arm. # to return to Enter Section. # again to go back to main menu.

### Program Output:

Keypad Display	Enter on Keypad	Comments
Enter Section —	009 *	To program Output 1.
Enter Data	115 # #	115 is Armed status. # to return to Select Section. # again to go back to main menu.

### Enable Open/Close Reports:

Keypad Display	Enter on Keypad	Comments
Enter Section —	308	Event Reporting
Enter Section —	201	201 enters Open/Close Events section.
Toggle Option	1 for Y/N #	User Closing. Enabled ( <b>section is enabled when Y is displayed</b> ). # to return to Select Section.
Move to Next Section	>	> Moves to User Opening section.
Toggle Option	1 for Y/N # #	User Opening. Enabled ( <b>section is enabled when Y is displayed</b> ). # to return to Select Section. # again to go back to main menu.
Enter Section —	311	To program partition 1 call direction.
Enter Section —	003	003 enters partition Opening/Closing Call direction.
Toggle Option	1 toggles Receiver #1 to Y/N	Opening/Closing Call Direction for Receiver #1. Enabled ( <b>section is enabled when Y is displayed</b> ).
Move to Next Section	>	> Moves to Receiver #2 section
Toggle Option	1 toggles Receiver #2 to Y/N # #	Opening/Closing Call Direction for Receiver #2. Enabled ( <b>section is enabled when Y is displayed</b> ). # to return to Select Section. # again to go back to main menu.
<p><b>Note:</b> If you have entered a phone number and account number for receiver 3 and 4, it is required that the opening/closing call direction for those receivers be enabled as well for the interactive services to function properly.</p>		

### Set to Contact ID:

Keypad Display	Enter on Keypad	Comments
Enter Section —	350 *	Program Alarm Format. * moves to Rc #1.
Toggle Option	> toggles to Contact ID Auto # #	Option on the screen should read Contact ID Auto. # to return to Select Section. # again to go back to main menu.

## Reference Note

For more detailed installation and programming instructions, refer to the Telguard Interactive Installation Guide (P/N 56043501).