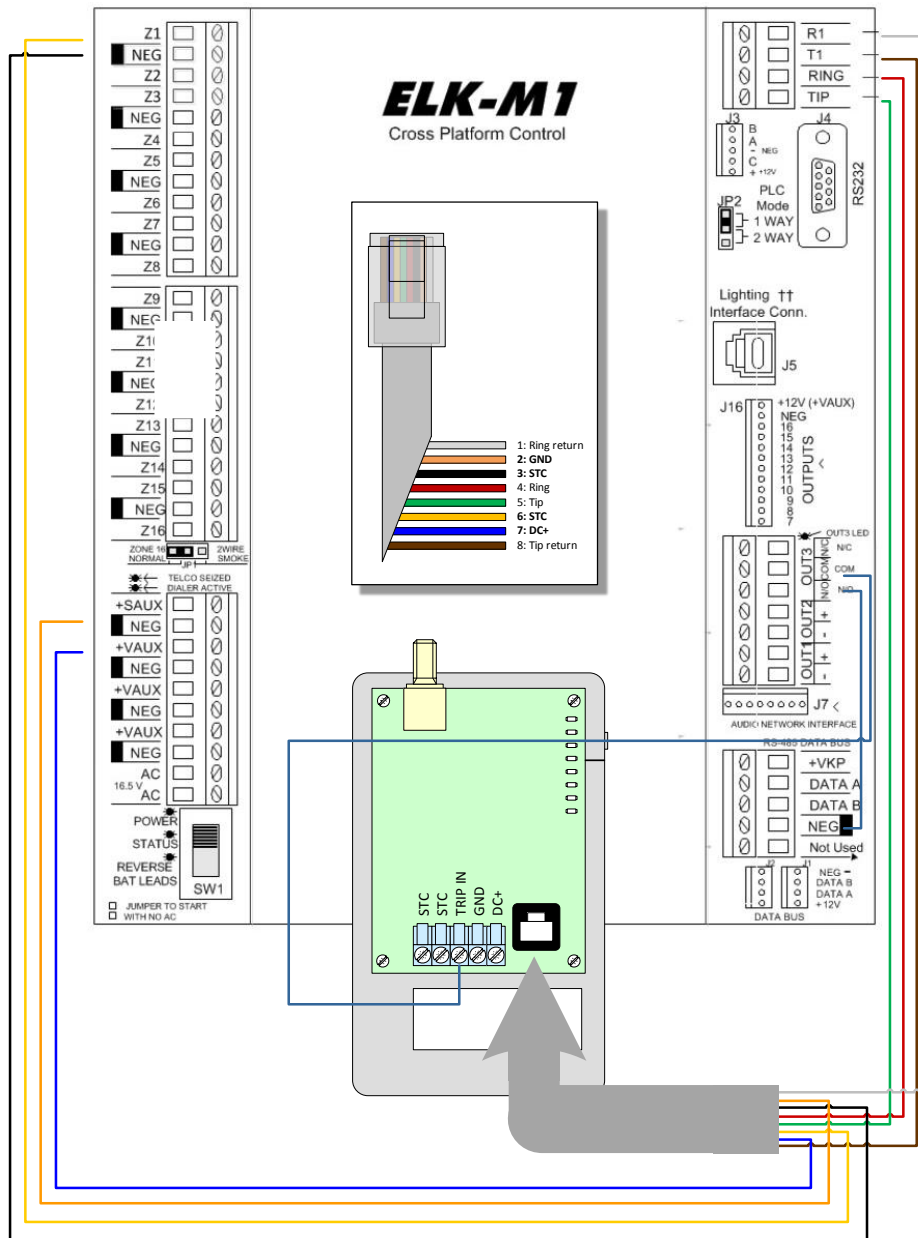




# HomeControl Flex Installation: TG-1 Express with Elk-M1Gold

The following information is to serve as a guide for installations of TG-1Express devices enabled for Interactive Services with the Elk-M1Gold Control Panel. The configuration shown in the diagram below is an example of how a proper installation could look. The zone could differ from the diagram without changing the outcome of the installation.

## Installation Diagram



**Note:** Although a resistor is not depicted here, one may be required by the Keyswitch zone in accordance to the Panel's specifications. For more information, please refer to the Panel's Installation and/or Programming Manuals.



## Programming Steps

After getting into configuration mode, check/do the following:

### Program Keyswitch zone:

Keypad Display	Enter on Keypad	Comments
01-Bus Module Enrollment ▶	0 5	Go to Zone Definitions menu
05-Zone Definitions ▶	→ (right arrow)	
ZN001: Sel◆ Prg▶ Zone 001	→	Select zone to be defined (Zone 1 in this example)
ZN001 01:Def=01 ▶ Burg Entry/Exit	→ 2 6	Change the value of the zone definition to 26 (originally set at 01 in this example)
ZN001 01:Def=26 ▶ Key Momentary	← ↑	Move to next option (02)
ZN001 02:Type=0 ▶ 0=EOL Supervd/RF	→ 2	Change the value of the zone type to 2 (originally set at 0 in this example)
ZN001 02:Type=2 ▶ 2=Normal Open	← [↑ 9 times]	Move to next option (11)
ZN001 11:=No ▶ FastLoopResponse	→ 1	Change the value to 1 (originally set at 0 "No" in this example)
ZN001 11:=Yes ▶ FastLoopResponse	[ELK] [ELK] [ELK]	Returns to Zone Definitions screen

### Enable Open/Close Reports:

Keypad Display	Enter on Keypad	Comments
05-Zone Definitions ▶	0 9	Go to Area Reporting Codes menu
09-Area Reporting Codes ▶	→	
AR1 Sel◆ Prg▶ ReportingCodesArea1	→	Select Area 1 for programming
AR1 01:000=Sec ▶ Dialer Delay	1 0	Jumps to AR1 option 10 (Keyswitch Close code)
AR1 10:Code=00 ▶ Keyswitch Close	→ 0 1	Change the value to 01 (originally set at 00 "Disabled" in this example)
AR1 10:Code=01 ▶ Keyswitch Close	[ELK] [ELK] [ELK]	Returns to Area Reporting Codes screen

### Set to Contact ID:

Keypad Display	Enter on Keypad	Comments
09-Area Reporting Codes ▶	0 8	Go to Telephone Account Setup menu
08-Telephone Account Setup ▶	→	
T1: Sel◆ Prg▶ <Name for CS>	→	Program T1
T1: 01: Format=0 ▶ 0=Disabled	→ 1	Change the format to 1 (originally set at 0 in this example)
T1: 01: Format=1 ▶ 1=Contact ID	↑	Next option
T1: 02: = ▶	→ 0	Set value to 0



0=Always Report		
T1: 02: = 0 0=Always Report	▶	↑
T1: 03Num ▶ =1800 5551212	[ELK] [ELK] [ELK]	Next option. Continue on programming the phone number information as pertinent.  Returns to Telephone Account Setup screen

**Program Output:**

<b>Output 3 needs to be used to switch to ground. Programming of this output must be done using the ElkRP Remote Programming PC Software.</b>	
Launch the ElkRP software and connect to the M1 panel.	
Locate the Automation > Rules folder and click on Rules	
Create a rule for when Output 3 is armed: <b>WHENEVER Area 1 (Area 1)            ARM STATE BECOMES            ARMED THEN TURN Output            003 (Out 3) ON</b>	Click on NEW to create a new rule
	Click Whenever
	Click Security/Alarms
	Click Armed to Any Mode
	A small box will open to choose the Appropriate Area. Default "Area 1" should be used as the HomeControl Flex service is not meant to work with partition systems.
	Click OK
	Click THEN
	Click Turn Output On/Off
	From the drop down box, select Output 3
	Click the radio box titled TURN ON and click OK
Click DONE	
Create a rule for when Output 3 is disarmed: <b>WHENEVER Area 1 (Area 1)            ARM STATE BECOMES            DISARMED THEN TURN            Output 003 (Out 3) OFF</b>	Click on NEW to create a new rule
	Click Whenever
	Click Security/Alarms
	Click Disarmed
	A small box will open to choose the Appropriate Area. Default "Area 1" should be used as the HomeControl Flex service is not meant to work with partition systems.
	Click OK
	Click THEN
	Click Turn Output On/Off
	From the drop down box, select Output 3
	Click the radio box titled TURN OFF and click OK
Click DONE	
Click SEND TO CONTROL while still connected live to the control. This will populate the rule into the M1Gold Control.	

**Reference Note**

For more detailed TG-1B and TG-4 installation and programming instructions, refer to the HomeControl Flex Installation Guide.