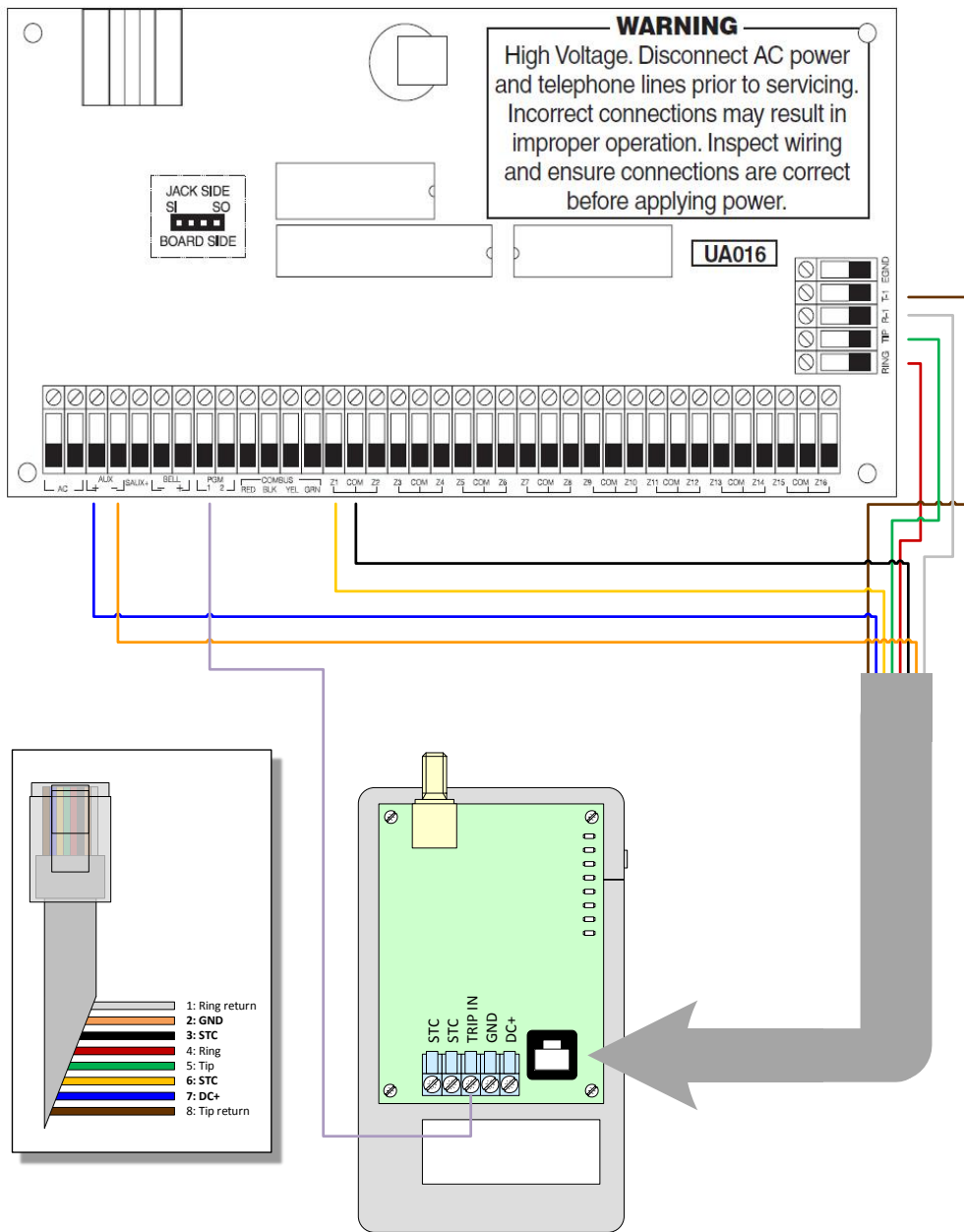




HomeControl Flex Installation: TG-1 Express with DSC 4020

The following information is to serve as a guide for installations of TG-1Express devices enabled for Interactive Services with the DSC 4020. The configuration shown in the diagram below is an example of how a proper installation could look. The output and zone could differ from the diagram, without changing the outcome of the installation.

Installation Diagram



Note: Although a resistor is not depicted here, one may be required by the Keyswitch zone in accordance to the Panel's specifications. For more information, please refer to the Panel's Installation and/or Programming Manuals.



Programming Steps

After getting into configuration mode, check/do the following:

Program Keyswitch zone:

Keypad Display	Enter on Keypad	Comments
Select(00) < > System Area	0100XX0301YYY	XX is the partition number, YYY is the zone number. THIS IS A SHORT CODE...IGNORE DISPLAY WHILE ENTERING THIS LONG NUMBER.
Select(XXX) <> Zone YYY	>*	To enter Zone Type.
Zone Type	26#	Momentary arm, press # a few times until get back to Select (XX) System Area.

Program Output:

Keypad Display	Enter on Keypad	Comments
Select(00)System Area	000700	Inverted Arm Status. THIS IS A SHORT CODE...IGNORE DISPLAY WHILE ENTERING THIS LONG NUMBER.
Select (07) < > Inverted Arm Status	06 #	Press # a few times to return to Select (00) System Area.

Enable Open/Close Reports:

Keypad Display	Enter on Keypad	Comments
Select(00) < > System Area	000400ZZ02	ZZ = telephone number00-02. THIS IS A SHORT CODE...IGNORE DISPLAY WHILE ENTERING THIS LONG NUMBER.
Select Toggle<> Alarm/Restore Y	* <	Press * if Y is NOT displayed. Press < to get Select Toggle<> Open/Close Y displayed.
Select Toggle<> Open/Close Y	* # #	Press * if Y is NOT displayed to get it displayed, then #. Press #a few times to get to main screen: Select (00)System Area.

Set to Contact ID:

Keypad Display	Enter on Keypad	Comments
Select(00) < > System Area	000400ZZ01	ZZ = telephone number00-02. THIS IS A SHORT CODE...IGNORE DISPLAY WHILE ENTERING THIS LONG NUMBER.
Select(XX)<> DTMF Contact ID	04#	If Select (XX)<> DTMF Contact ID is NOT displayed, type in 04 #, then press # to get to main screen: Select(00)System Area.

Reference Note

For more detailed TG-1B and TG-4 installation and programming instructions, refer to the HomeControl Flex Installation Guide.