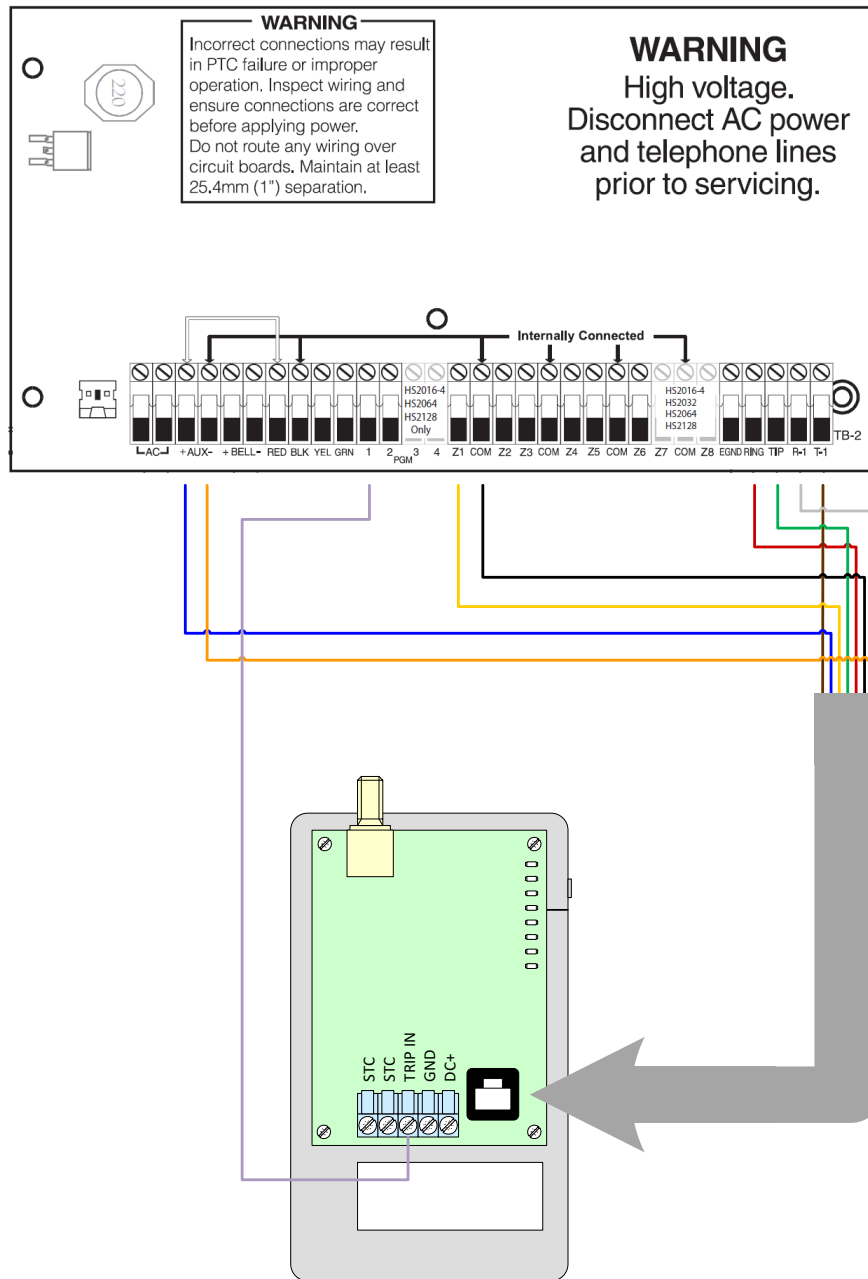




HomeControl Flex Installation: TG-1 Express with DSC Power Series Neo

The following information is to serve as a guide for installations of TG-1Express devices enabled for HomeControl Flex service with the DSC Power Series Neo V1.0 and the latest V1.2. The configuration shown in the diagram below is an example of how a proper installation could look. The output and zone could differ from the diagram, without changing the outcome of the installation.

Installation Diagram



Note: Although a resistor is not depicted here, one may be required by the Keyswitch zone in accordance to the Panel's specifications. For more information, please refer to the Panel's Installation and/or Programming Manuals.



Programming Steps

After getting into configuration mode, check/do the following:

Program Keyswitch zone:

Keypad Display	Enter on Keypad	Comments
Enter Section —	001 *	Zone 1. * moves into next section.
Enter Data	066 # #	066 is for Zone Type Momentary Arm. # to return to Enter Section. # again to go back to main menu.

Program Output:

Keypad Display	Enter on Keypad	Comments
Enter Section —	009 *	To program Output 1.
Enter Data	115 # #	115 is Armed status. # to return to Select Section. # again to go back to main menu.

Enable Open/Close Reports:

Keypad Display	Enter on Keypad	Comments
Enter Section —	308	Event Reporting
Enter Section —	201	201 enters Open/Close Events section.
Toggle Option	1 for Y/N #	User Closing. Enabled (section is enabled when Y is displayed). # to return to Select Section.
Move to Next Section	>	> Moves to User Opening section.
Toggle Option	1 for Y/N # #	User Opening. Enabled (section is enabled when Y is displayed). # to return to Select Section. # again to go back to main menu.
Enter Section —	311	To program partition 1 call direction.
Enter Section —	003	003 enters partition Opening/Closing Call direction.
Toggle Option	1 toggles Receiver #1 to Y/N	Opening/Closing Call Direction for Receiver #1. Enabled (section is enabled when Y is displayed).

Set to Contact ID:

Keypad Display	Enter on Keypad	Comments
Enter Section —	350 *	Program Alarm Format. * moves to Rc #1.
Toggle Option	> toggles to Contact ID Auto # #	Option on the screen should read Contact ID Auto. # to return to Select Section. # again to go back to main menu.



Reference Note

For CP01 compliant panels, the panel will need to detect an exit delay zone opening in order to Arm-Away. Please see the "TG-1X HC Flex - DSC Neo CP01 Addendum" document in the Manuals section for a work-around to Arm Away.