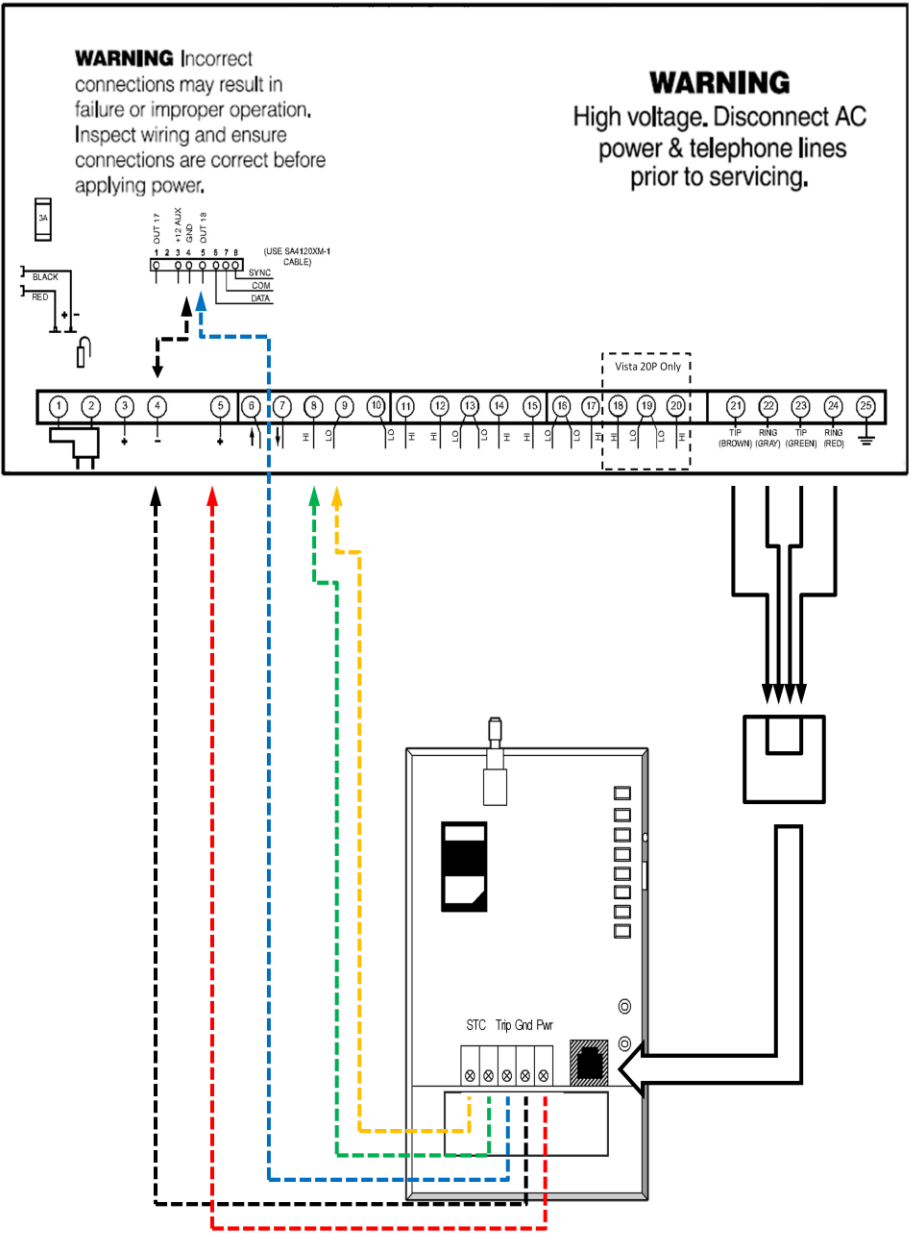


# Telguard Interactive Installation: TG-1 Express with Honeywell Vista 20P

The following information is to serve as a guide for installations of TG-1Express devices enabled for Interactive Services with the Honeywell Vista 20P. The configuration shown in the diagram below is an example of how a proper installation could look. The output and zone could differ from the diagram, without changing the outcome of the installation.

## Installation Diagram



## Programming Steps

After getting into configuration mode, check/do the following:

### Program Keyswitch zone:

Keypad Display	Enter on Keypad	Comments
	* 56	Zone Programming Menu.
Set to Confirm? 0=NO 1=YES	*	Get to Zone area.
Enter zn num 00=quit XX	XX *	XX= zone number.
ZN ZT P RC HW:RT 0x 00 1 00 EL:1	*	Enters Zone Type.
ZN T	77 *	Configure zone type for Keyswitch.
ZN ZT P RC HW:RT 0x 77 1 00 EL:1	*00	Get out of Zone programming.

### Program Output:

Keypad Display	Enter on Keypad	Comments
Enter * or #	* 80	Output Programming Menu mode.
OUTPUT FUNCT # 00=QUIT 0X	01 *	Output function number XX (01-12).
01 A E P TRIG ?00 0 0 - ZN=00	*	Activate output by zone type.
01 Activated By: Zone Type	2*	
01 Enter Zn Type Keysw xx	* 78	Zone type =xx (78 = keyswitch Red LED, 79 = keyswitch Green LED).
01 Partition x	1 *	Type in partition.
Enter Output No. Txx x	18 *	Output number (17 or 18 are choices).
01 A E P TRIG T18 - - 1 ZT=78	*	
Output Funct # 00=Quit	00	To exit the output programming menu.

### Enable Open/Close Reports:

Keypad Display	Enter on Keypad	Comments
	*65	Open Report Code
Open Report 1 2 3	1 1 1	
Awy/Sty Rp 1 2 3	*66	Arm Away/Stay Rpt Code
Awy/Sty Rp 1 2 3	111111	
	*99	Exit commands.
Enter * or #	*84	Away stay arm.
Auto Sty Opt	0	NO
	*99	Exit programming mode.

***Set to Contact ID:***

<b>Keypad Display</b>	<b>Enter on Keypad</b>	<b>Comments</b>
Enter * or #	* 48	Report Format.
Rep Form Pri/Sec X X	7 7	4 digit ADEMCO CONTACT ID primary/secondary.

**Reference Note**

---

For more detailed installation and programming instructions, refer to the Telguard Interactive Installation Guide (P/N 56043501).