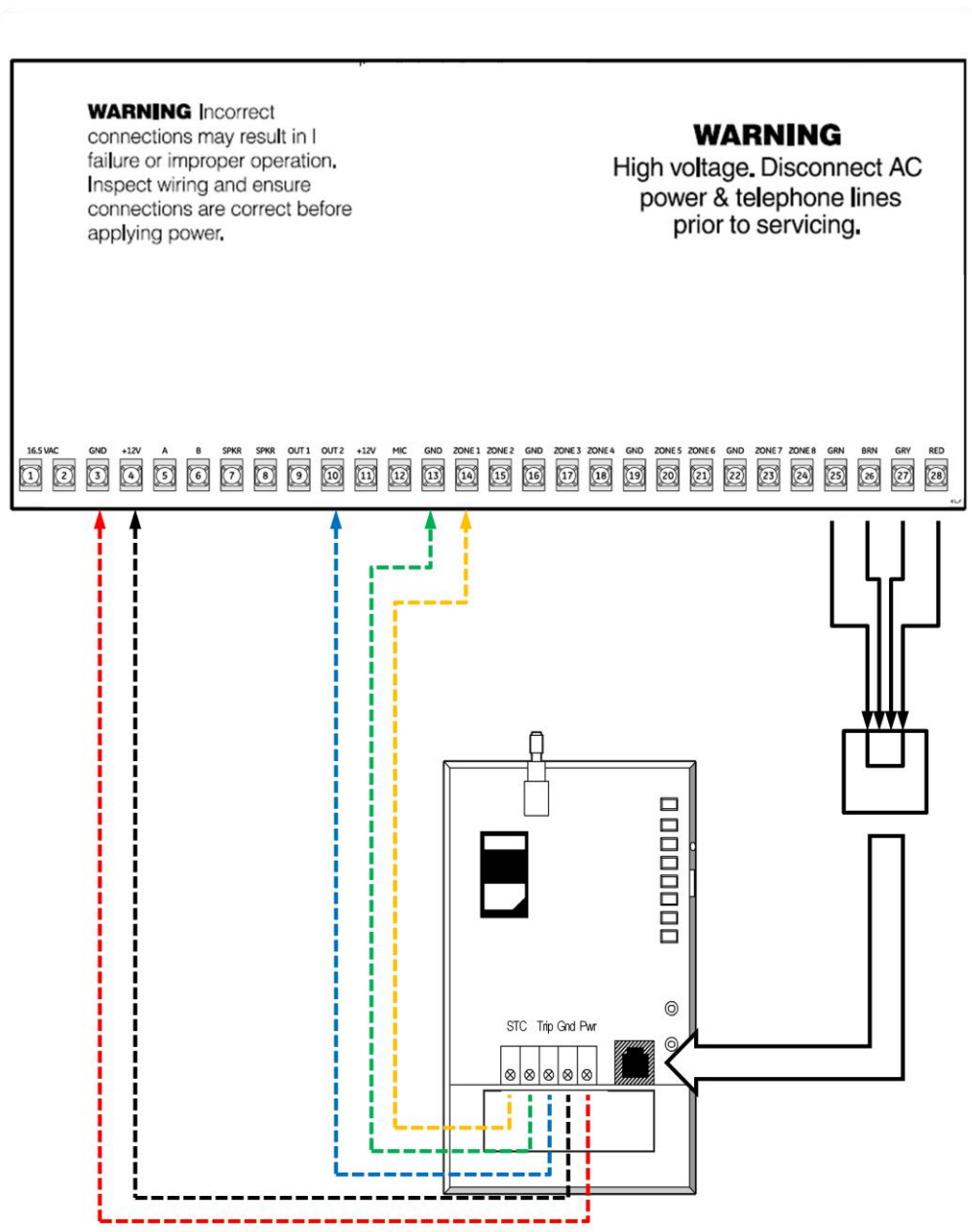


Telguard Interactive Installation: TG-1 Express with GE Concord 4

The following information is to serve as a guide for installations of TG-1Express devices enabled for Interactive Services with the GE Concord 4. The configuration shown in the diagram below is an example of how a proper installation could look. Although the zone could differ from the diagram without changing the outcome of the installation, the output to be used must be OUT2.

Installation Diagram



Programming Steps

After getting into configuration mode, check/do the following:

Program Keyswitch zone:

Keypad Display	Enter on Keypad	Comments
System Programming	0014	This enters the keyswitch sensor area.
Keyswitch Sensor X	X# , B	X =Zone Number 1-8, # to confirm, press B to get to keyswitch style.
Keyswitch style Transition	B * * *	Press B until Displays TRANSITION. Then press * a few times to get back to System Programming.
System Programming	080	Enters the Learn Sensors menu.
Learn Sensors	#	# opens this menu.
Sensor PTN 1	#	This is the partition area, with 1 as default. Do not change if 1, press # to confirm.
Sensor Group 0	28 #	Change sensor group to 28, # to confirm.
Trip Sensor X	*	Navigate to chosen zone X (1-8), Short Zone X wire to GND wire. Wait for the panel to beep, press * until Learn Sensors prompt displays.
Learn Sensors	A	To get to edit sensor area.
Edit Sensors	#	View sensor 1.
S1 P1 G28 NO HW Key	***	Get back to System Programming.

Set to Contact ID:

Keypad Display	Enter on Keypad	Comments
System Programming	01006	To display Reporting Format.
Reporting Format "TYPE"	2, # ***	"TYPE" is the current programmed types. 2 is for CID, # to confirm, hit *** to get to System Programming.

Enable Open/Close Reports:

Keypad Display	Enter on Keypad	Comments
System Programming	01004	To display Open/Close RPTS.
Open/Close RPTS XX	2#	XX IS CURRENT STATUS. 2 is for ON, # to confirm.
Open/Close RPTS ON	***	Return to System Programming.
System Programming	06100	This displays opening reports status.
Opening Reports XX	2 #	XX is the current status, 2 is for ON, # to confirm.
Opening Reports ON	***	Return to System Programming.
System Programming	06101	This displays closing report status.
Closing Reports XX	2 #	XX is current status 2 is for ON.
Closing Reports ON	***	Return to System Programming.

Program Output:

Keypad Display	Enter on Keypad	Comments
System Programming	1121 #	Displays output 2 status.
OUTPUT 2 ITEM 0 "STATUS"(ex 11 - ARMED)	11 #	Output 2 will be Armed, # to confirm.
OUTPUT 2 ITEM 1 11 - ARMED	****	Press * a few times to get back to system programming.
System Programming	1111	Displays configuration FOR OUTPUT 2.
Configuration XXXXX	00903 #	Enter 009=Arm Event, 03=Sustained Response. # to confirm.
Configuration 00903	****	Press * a few times until get back to System Programming.

Reference Note

For more detailed installation and programming instructions, refer to the Telguard Interactive Installation Guide (P/N 56043501).